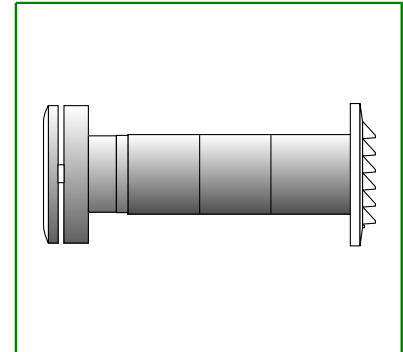
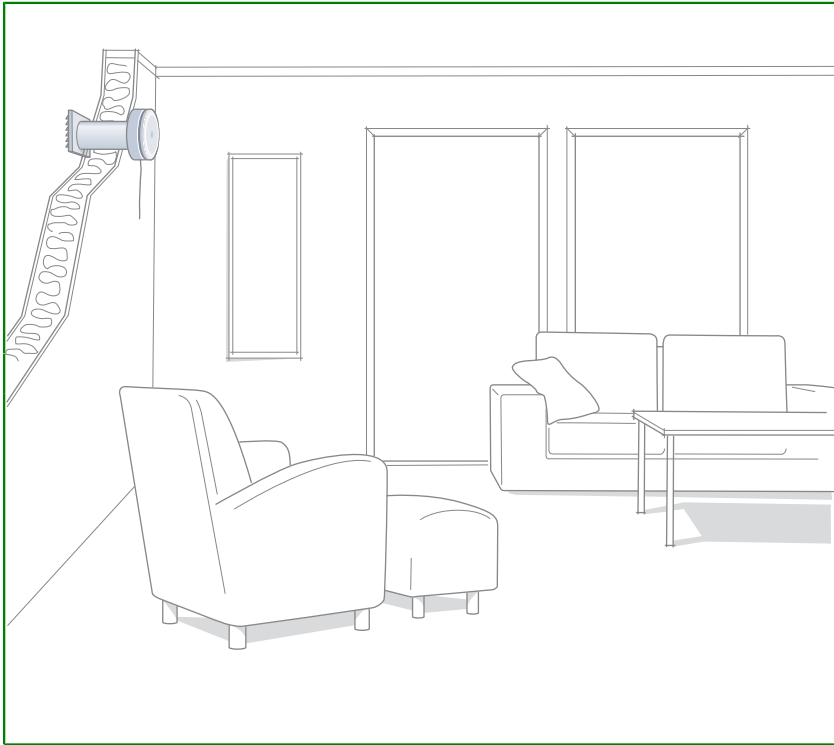


AIRTREND Ltd
 Predstavništvo u Beogradu
 Kumanovska 14, 11000 Beograd
 Tel: 011/3836886, 3085740
 Faks: 011/3444113
 e-mail: gobrid@eunet.rs
 web: www.airtrend.rs

VFLC Fresh air valve



VFLC is a type approved fresh air valve for wall mounting, intended for continuous ventilation of dwellings. VFLC can be positioned in areas such as bedrooms, living rooms or sitting rooms.

Quick Selection

VFLC with filtertype	Valve -position	Air flow range l/s [m ³ /h] at sound level			
		2.5 Pa	5 Pa	10 Pa	20 Pa
Standard	1	2,4 [8,6]	3,6 [13]	5,5 [19,8]	8,3 [29,9]
	3	3,6 [13]	5,7 [20,5]	8,5 [30,6]	13 [46,8]
Allergen	1	1 [3,6]	1,7 [6,1]	3 [10,8]	5,1 [18,4]
	3	1,2 [4,3]	2,2 [7,9]	3,7 [13,3]	6,9 [24,8]

Product Facts

- Three opening positions.
- Condensation protection.
- Regulated with or without a cord.
- Filter.
- Noise-reducing.
- Manufactured of ABS plastic.

Product code example

Fresh air valve, standard Ø 80 mm
 VFLC-80

Application, construction, maintenance

Application

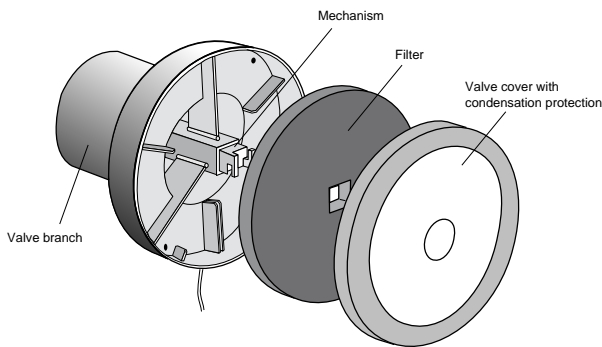
Type approved fresh air valve for wall mounting, intended for continuous ventilation of dwellings.

Positioned in areas such as bedrooms, living rooms or sitting rooms.

The valve has three opening positions, which are simply regulated with or without a cord. Without a cord, the cover is closed with the hand facing outwards.

The mechanism is of the stepping type, which means that it steps up one position for each pull. It is closed by pulling one more time.

The valve's large capacity, 8,4 l/s at 10 Pa, means that it conforms to the standard requirement for parents' bedrooms. Also available in a special noise-reducing version, VFLC-80-DB.



Construction

The valve is supplied complete with a wall penetration and an exterior grille.

The penetration consists of a branch and two coupling pipes. The coupling pipes fit directly on the external branch and are connected to one another with a push-in adapter.

The valve branch, which fits inside the coupling pipe, is 90 mm long and thus provides a telescopic function of ca. 80 mm. Each coupling pipe extends for 75 mm, which means that there is no need to cut any pipes.

The exterior grille fits onto the external branch with a spring catch.

The internal valve part is provided with a filter and a cover with anti-condensation insulation.

The cover steps up one position for each pull. The valve is closed by pulling one more time.

The valve can also be fitted with a minimum flow stop, to ensure a certain air change with a flow of ca. 3 l/s at 10 Pa.

The valve is also available in a sound-reduced model, when it has the designation VFLC-80-DB. This is equipped with a sound-reducing penetration pipe with an external diameter of 145 mm and with a standard length of 400 mm.

Two cover plates are included in VFLC-80-DB, one on either side of the wall.

An air deflector, a storm guard and an allergen filter of filter class G3 (EU3) are available as accessories to the fresh air valve.

The air deflector is used if the distribution pattern needs to be changed, for example for a floor heating system. The allergen filter is installed instead of the standard filter where there is a need for better filtered air.

Maintenance

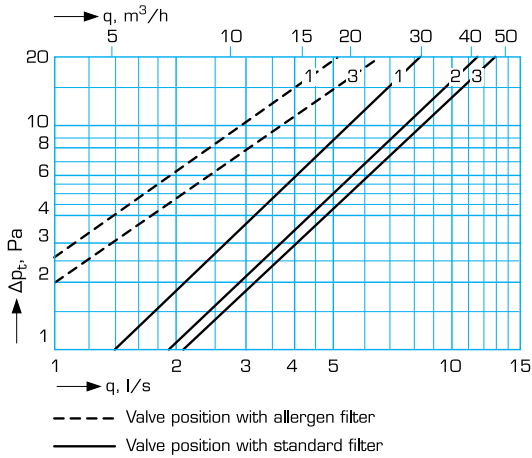
The valve is easy to clean, and no tools are required.

The cover, which is secured with a bayonet mount, is rotated through 45 degrees to the left (anti-clockwise) before being withdrawn straight out. After removing the filter holder, the filter can be simply lifted out. The filter should be washed or replaced.

It is important to clean continuously, or to replace the filter as required, to be certain of maintaining the air supply and good air quality.

Technical data, dimensions

Technical data



	VFLC-80	VFLC-80-DB
Capacity at 10 Pa:	8.4 l/s	8.4 l/s
Hole:	Ø88 mm	Ø150 mm
Max wall thickness:	310 mm ¹⁾	400 mm ²⁾

1) For thicker walls, extend with an additional coupling pipe.
 2) Standard. For thicker walls, contact the factory. The noisereducing pipe is cut to the right length with an ordinary knife or can be ordered in the exact length directly from the factory.

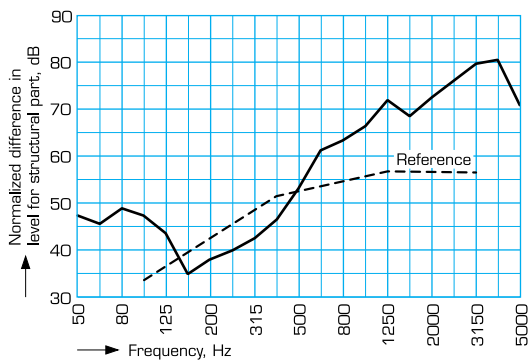
Material and colour

Material: ABS plastic

Colour: White, RAL 9010

Noise data VFLC-80-DB

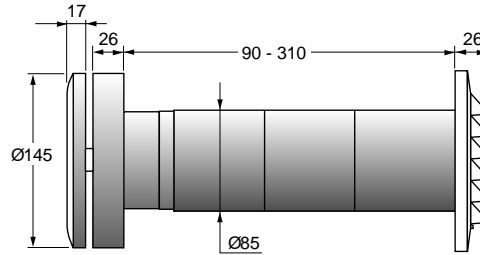
Noise reduction with fully open valve and 400 mm wall.
 Measurement in accordance with ISO 140-10. Normalized difference in level for structural part, calculated for 10 m².



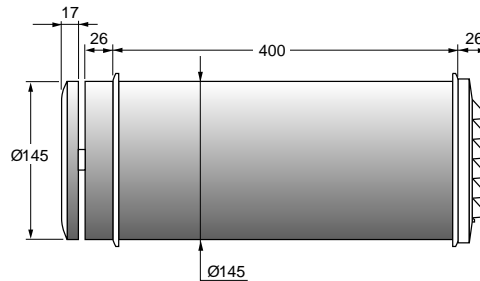
Dn, e, w:	53 dB	Octave band:	50-5000 Hz
Dn, e, w:	53 dB	Total variation:	28,3 dB
(C;Ctr):	(-1; -5)	Max deviation:	6,3 dB
(C;Ctr):	(0; -5)	Frequency:	315 Hz

Dimensions

VFLC-80



VFLC-80-DB



Dimension of accessories

Wall penetration: Ø145 x 400 mm

Cover plates: 180 x 180 mm

Distribution patterns, product code, accessories

Distribution patterns VFLC

As can be seen from the illustrations below, the valve can cope with up to 8 l/s free of draughts even at $-20\text{ }^{\circ}\text{C}$. The shaded areas denote air movements over 0.15 m/s .

Fig 1 and 3 illustrates the case with $-20\text{ }^{\circ}\text{C}$ outdoor temperature, $+20\text{ }^{\circ}\text{C}$ room temperature and a flow of 8 l/s. The radiator effect is 750 W.

Fig 2 and 4 illustrates the case with $\pm 0\text{ }^{\circ}\text{C}$ outdoor temperature, $+20\text{ }^{\circ}\text{C}$ room temperature and a flow of 8 l/s. The radiator effect is 400 W.

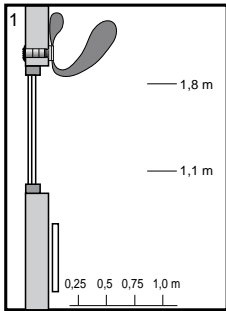


Fig. 1. Sideview

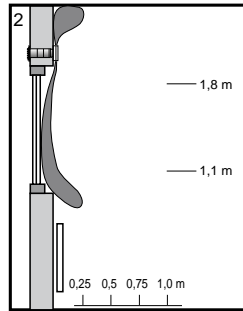


Fig. 2. Sideview

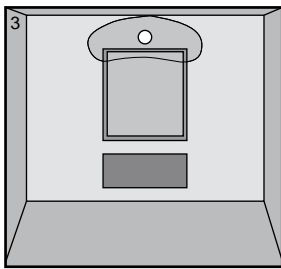


Fig. 3. Frontview

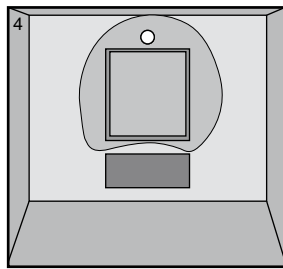


Fig. 3. Frontview

Descriptive text

Fresh air valve VFLC manufactured by Flåkt Woods, for wall mounting. Type-approved fresh air valve for wall mounting, designed for continuous ventilation of dwellings. Positioned in areas such as bedrooms, living rooms or sitting rooms. The valve has three opening positions which are simply regulated with or without a cord.

Product code

**Fresh air valve, standard $\text{Ø}80\text{ mm}$
VFLC-80**

Complete with wall penetration and exterior grille.

**Fresh air valve, noise-reducing $\text{Ø}80\text{ mm}$
VFLC-80-DB**

Complete with noise-reducing wall penetration and exterior grille and two cover plates.

**Internal valve part without accessories
VFLC-1**

Accessories

**Coupling pipe, $\text{Ø}85 \times 75\text{ mm}$
VFZ-02**

**Cover plate, $180 \times 180\text{ mm}$
VFZ-03**

**Cover plate, $205 \times 225\text{ mm}$
VFZ-04**

**Exterior grille, $150 \times 110\text{ mm}$
VFZ-05**

**Insect grille (fits in exterior grille)
VFZ-06**

**Standard filter C020
VFZ-16**

**Allergen filter G3, EU 3 (replaces standard filter)
VFZ-08**

**Storm guard $80 \times 74\text{ mm}$
VFZ-11**

**External branch $\text{Ø}80\text{ mm}$
VFZ-14**

**Internal branch $\text{Ø}80\text{ mm}$
VFZ-15**